

NEW

Photographic Evidence



Welcome to the future of digital image and video enforcement!

Introducing the TruCam - the most advanced, compact, all-in-one digital video camera/laser ever designed! The TruCam not only measures speed, it can calculate the traveling time and distance between two following vehicles. By producing full action video and still image evidence, for both speeding and tailgating violations, challenges in court will soon cease to exist. The combination of LTI's highly accurate speed detection technology and full color digital video and imaging makes the TruCam a truly revolutionary breakthrough.



Highly accurate speed and distance measurement

- TruSpeed™ Core
- DBC/TBC (Distance and Time between Cars)

Video clip and still image capture

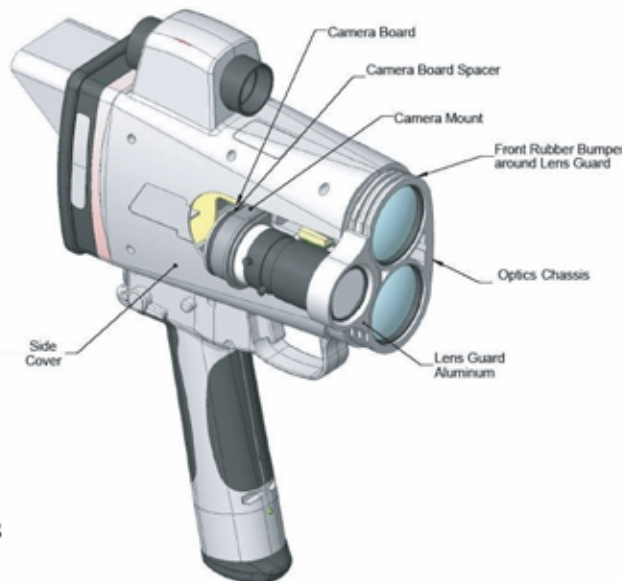
- Up to 35 frame per second motion clip
- 2048 x 1536 (3.1M) still color image
- 128 bit encrypted data

Long battery life

- 7.4V 2600mAh Lithium-ion polymer rechargeable battery (8 to 15 hours of operation)

User-friendly interface and large data storage

- 2.7" sunlight readable touch screen LCD
- High-speed USB 2.0 connection
- Software available in multiple languages
- Linux operating system with custom device drivers
- SD Card storage



Built-in peripherals

- 20 Channel GPS with SBAS
- 2D tilt sensor (pitch and roll)
- 3D digital compass with tilt compensation
- Real-time clock

